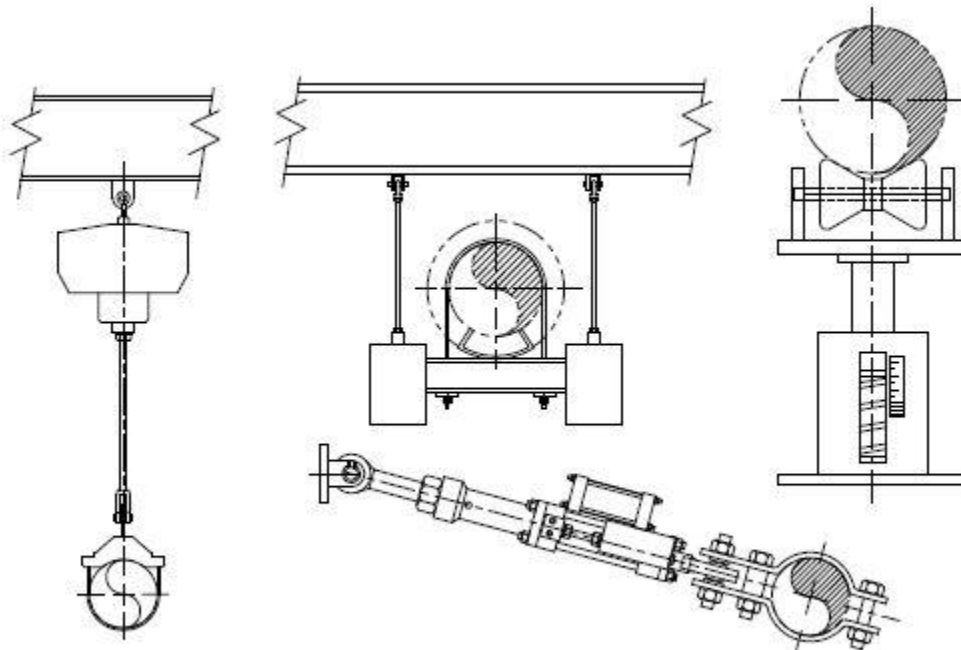


TECHNICAL INFORMATION NOTICE  
TIN 103-1

# HOW TO ESTABLISH AND PERFORM A PIPE SUPPORT INSPECTION PROGRAM



June, 2017

OST SERVICES



## INTRODUCTION

The supports of the unit, pipe supports, restraints and hangers are all interrelated and must be cared for together. Their care, maintenance and periodic inspection should be part of a comprehensive plan to enhance power plant safety and reliability. By performing routine inspections in a systematic manner, problems will frequently be detected before they become serious. In the support arrangement, problems are most likely to occur when malfunctions do occur, and the operator should be able to determine the cause(s) of the