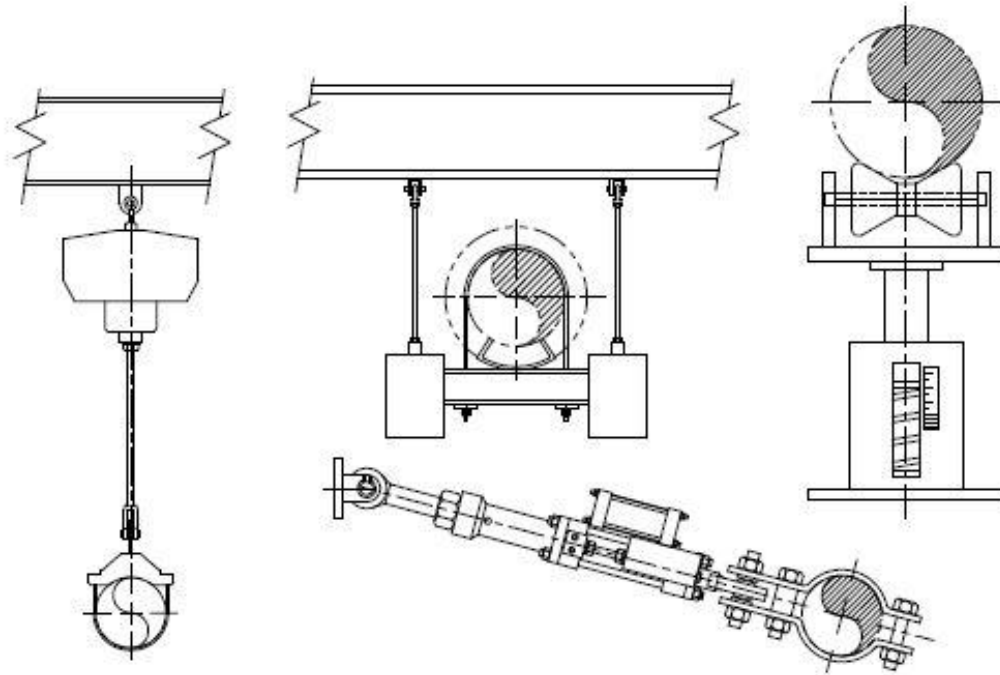


PIPE SUPPORT INSPECTIONS, TROUBLESHOOTING, ADJUSTMENTS, REPAIRS, AND GENERAL CONSIDERATIONS



OST SERVICES



January 2017

TABLE OF CONTENTS

	<u>PAGE</u>
INTRODUCTION	1
INSPECTIONS	3
TYPE OF SUPPORT/COMPONENTS	
Constant Support Hangers	10
Variable Spring Hanger.....	21
Snubbers	25
Welded Attachments.....	35
Rigid Rod Pipe Hangers	39
Unconventional Supports.....	40
Clamps	42
HYDROSTATIC TESTING	43
TROUBLESHOOTING	45
Design.....	46
Installation.....	46
Service.....	47
Fabrication	47
ORDERING TERMINOLOGY/CONSIDERATIONS	47

INTRODUCTION

The primary purpose of pipe supports¹ is distribution of the deadweight of piping and supported components into suitably placed structures. Accommodation of thermal expansion of the supported components calls for flexible-type supports. In the case of massive and complicated piping systems, the supports play a major role in the performance of piping systems and connected equipment.

Operating conditions exposed to extraordinarily high temperatures, high pressures, and complex geometry, elevation and configuration. Over the years, the requirements increased dramatically - the length of the power piping. Some major piping systems have weights in excess of 2,000 tons and temperatures reached 1,005°F; and, in some cases, in order to suspend and design piping systems and design pipe supports have become a fairly

¹Pipe supports are also commonly referred to as pipe hangers.